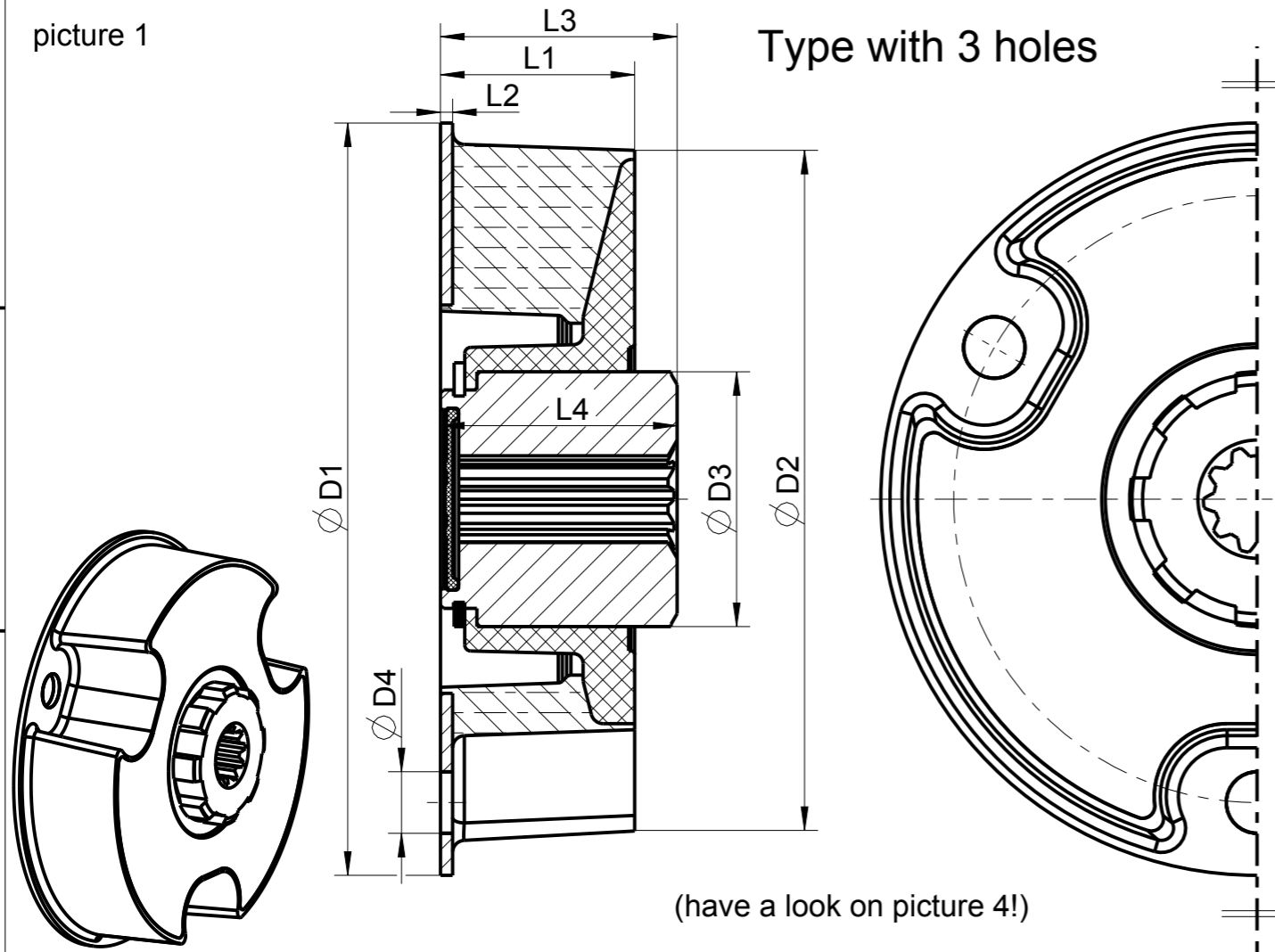


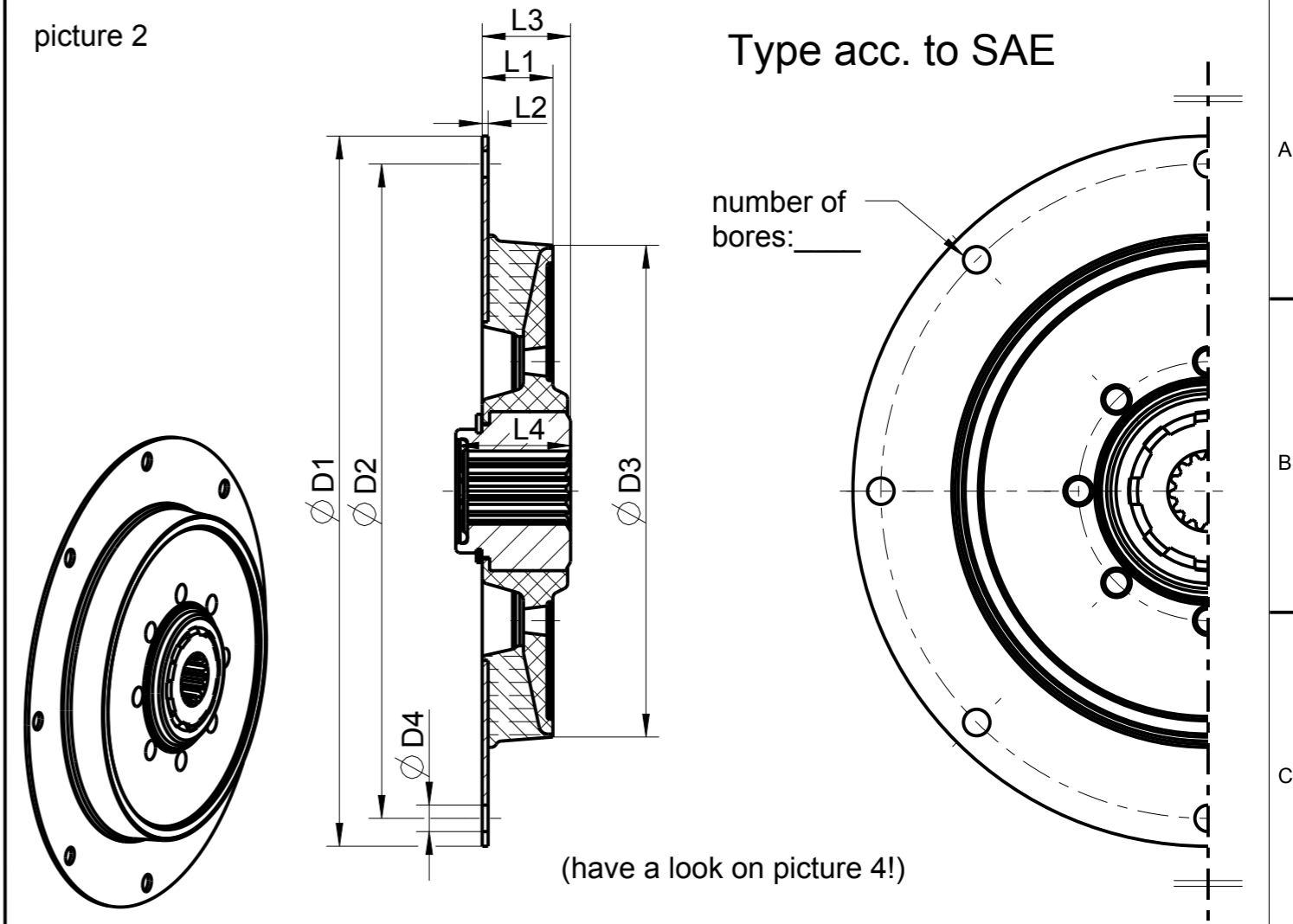
picture 1

Type with 3 holes



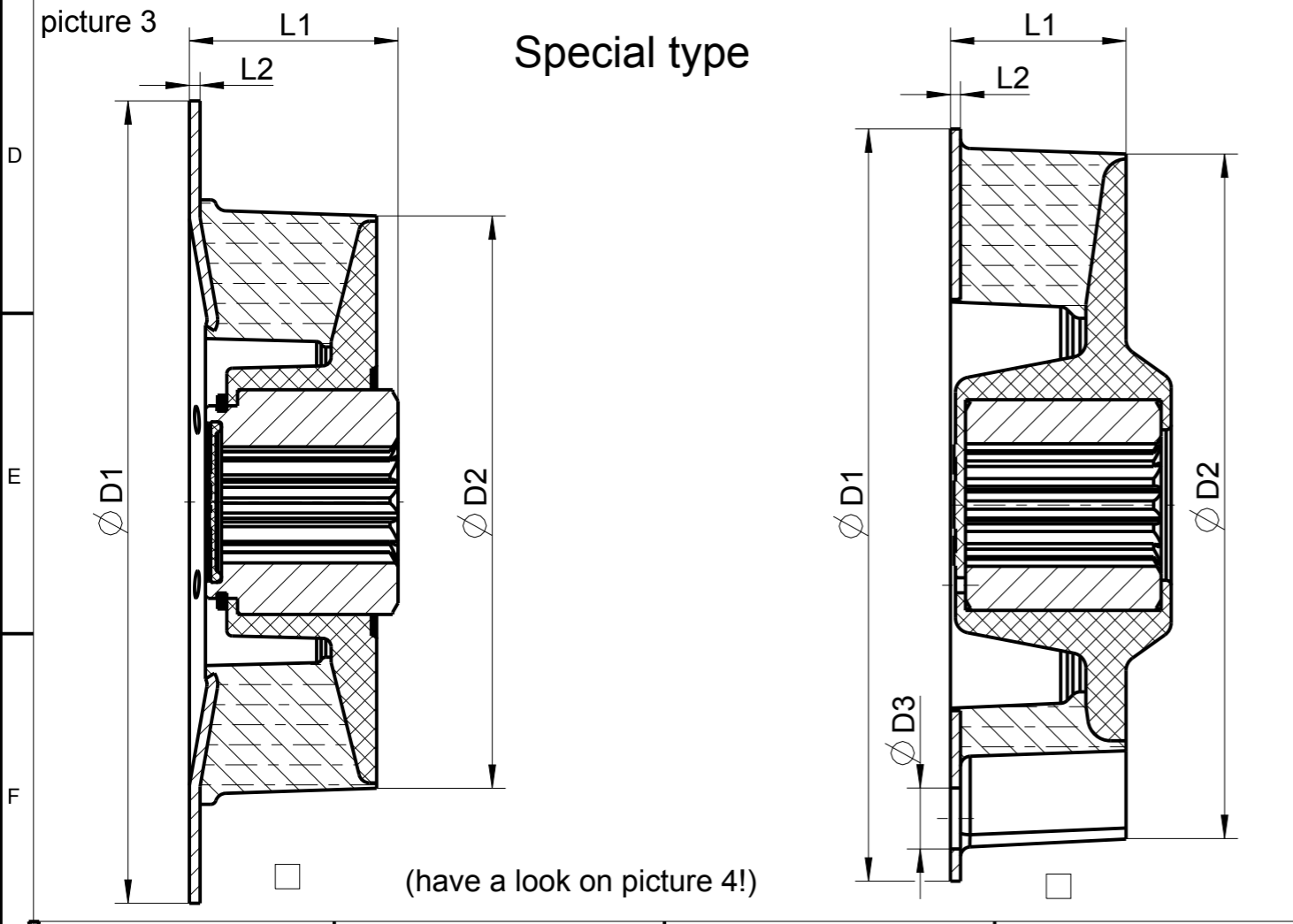
picture 2

Type acc. to SAE



picture 3

Special type



picture 4

