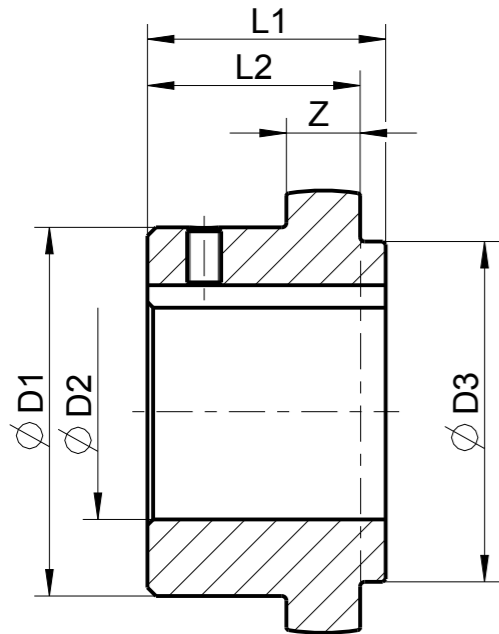


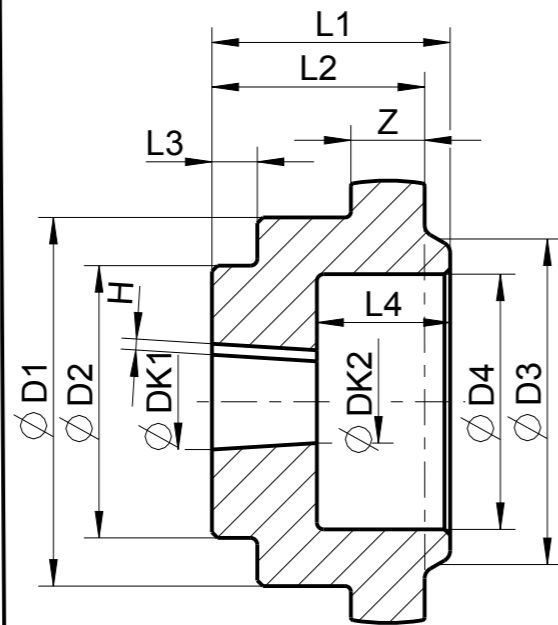
picture 1 hub with feather key groove



Material:  
 Stahl   
 Kunststoff  (have a look on picture 8!)

(--- hub type without inner collar L1=L2)

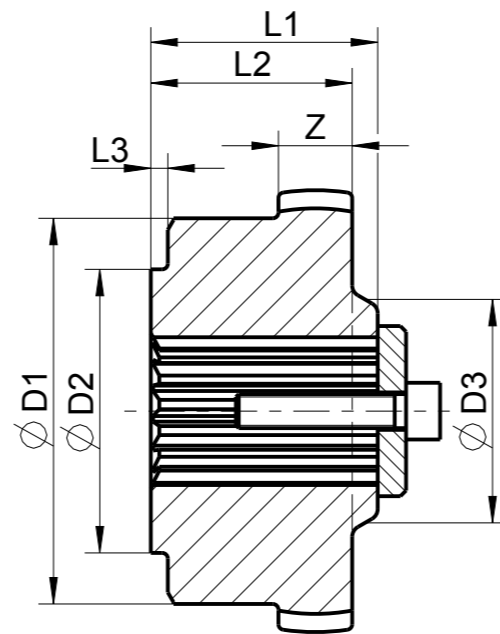
picture 2 taper hub



(have a look on picture 8!)

(--- hub type without inner collar L1=L2)

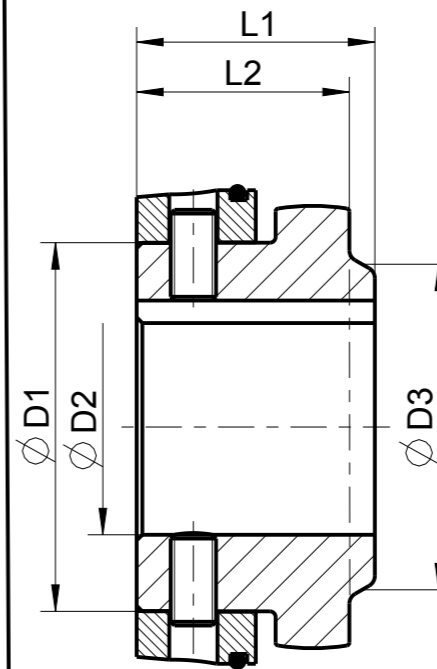
picture 3 splined hub with end plate



(have a look on picture 8!)

(--- hub type without inner collar L1=L2)

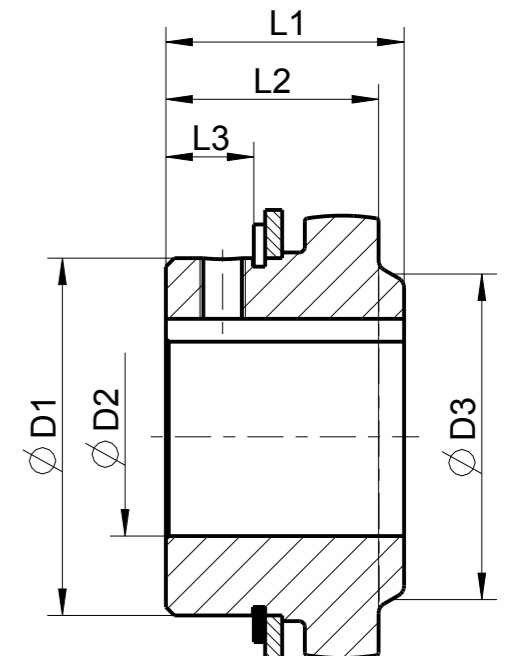
picture 4 SG hub with Dust Shields



(have a look on picture 8!)

(--- hub type without inner collar L1=L2)

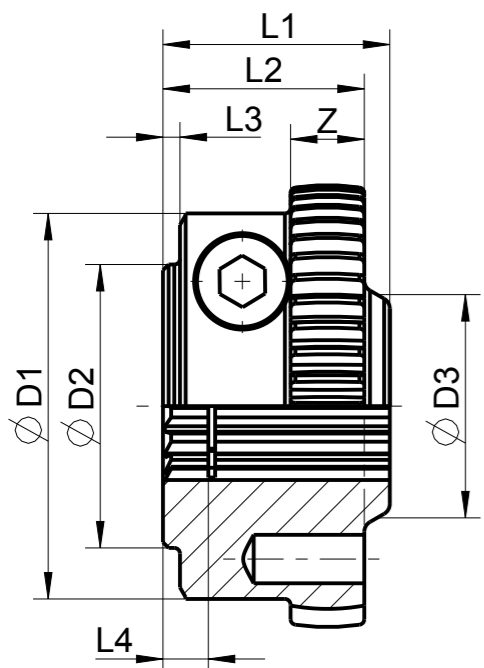
picture 5 SSR hub



(have a look on picture 8!)

(--- hub type without inner collar L1=L2)

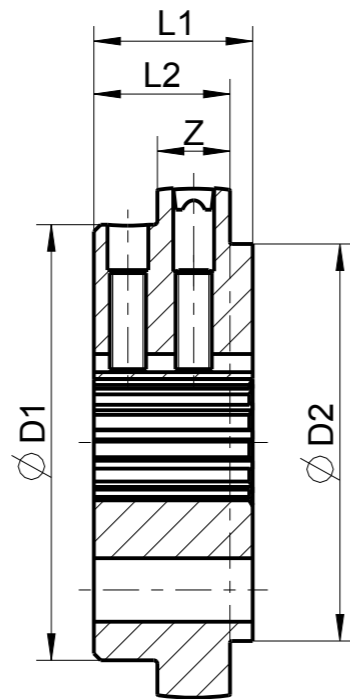
picture 6 clamping hub



(have a look on picture 8!)

(--- hub type without inner collar L1=L2)

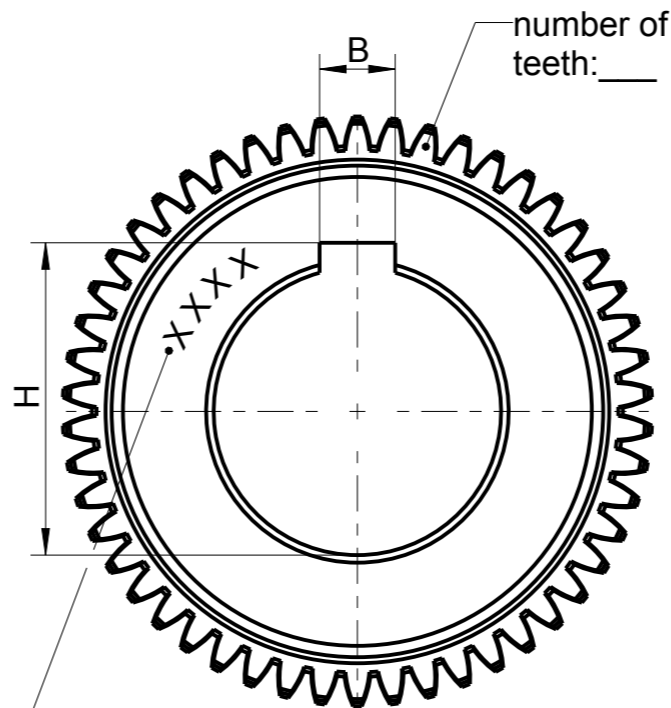
picture 7 clamping hub N



(have a look on picture 8!)

(--- hub type without inner collar L1=L2)

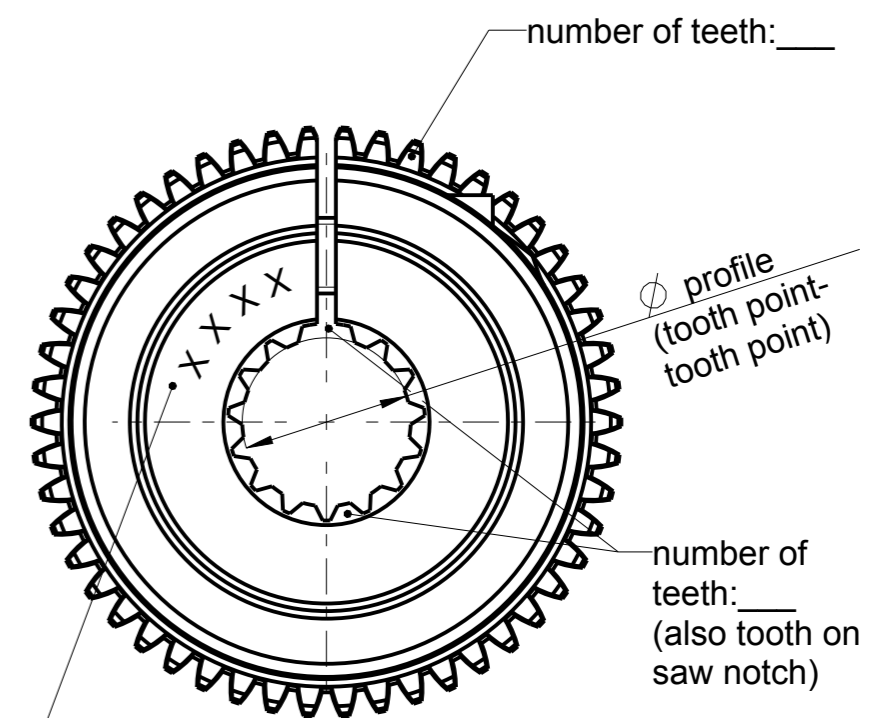
picture 8



marking: \_\_\_\_\_

\_\_\_\_\_

\_\_\_\_\_



marking: \_\_\_\_\_

\_\_\_\_\_

\_\_\_\_\_

number of teeth: \_\_\_  
 (also tooth on saw notch)