

picture 1

FLE-PA-PAC flange

picture 2

FLE-PAC flange

picture 3

divergent to SAE-norm

A

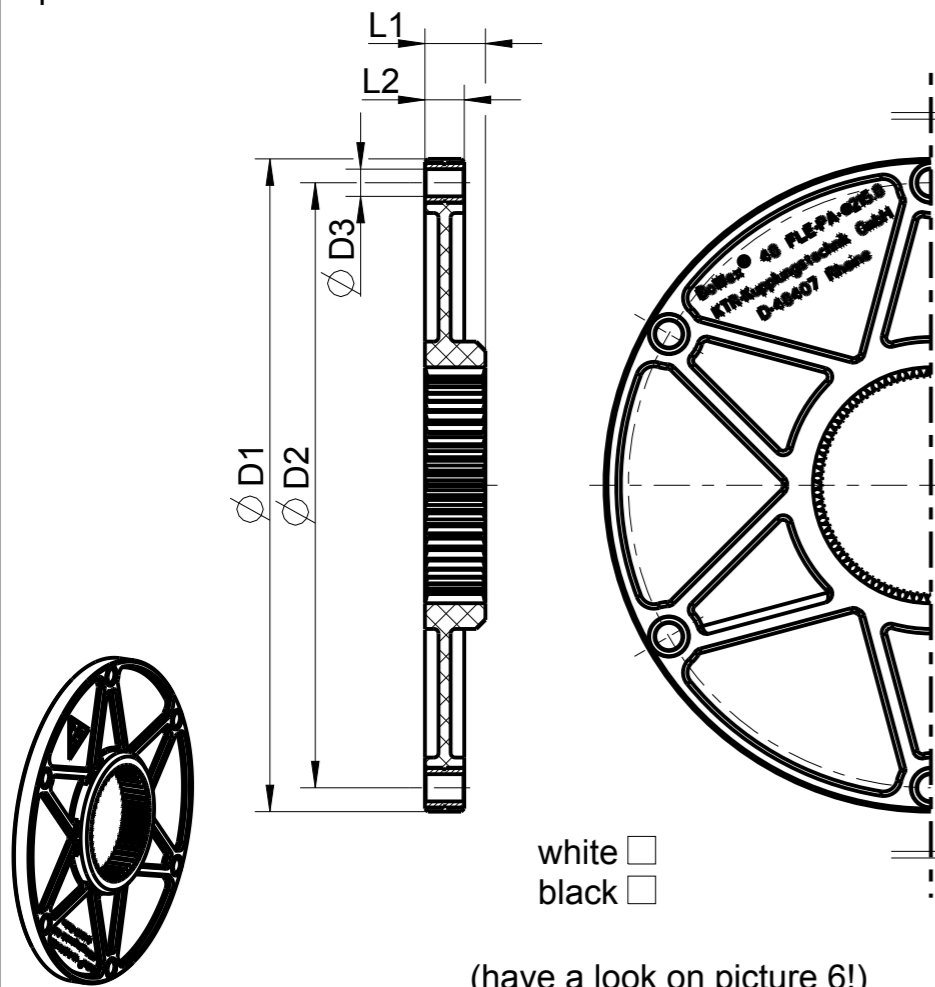
B

C

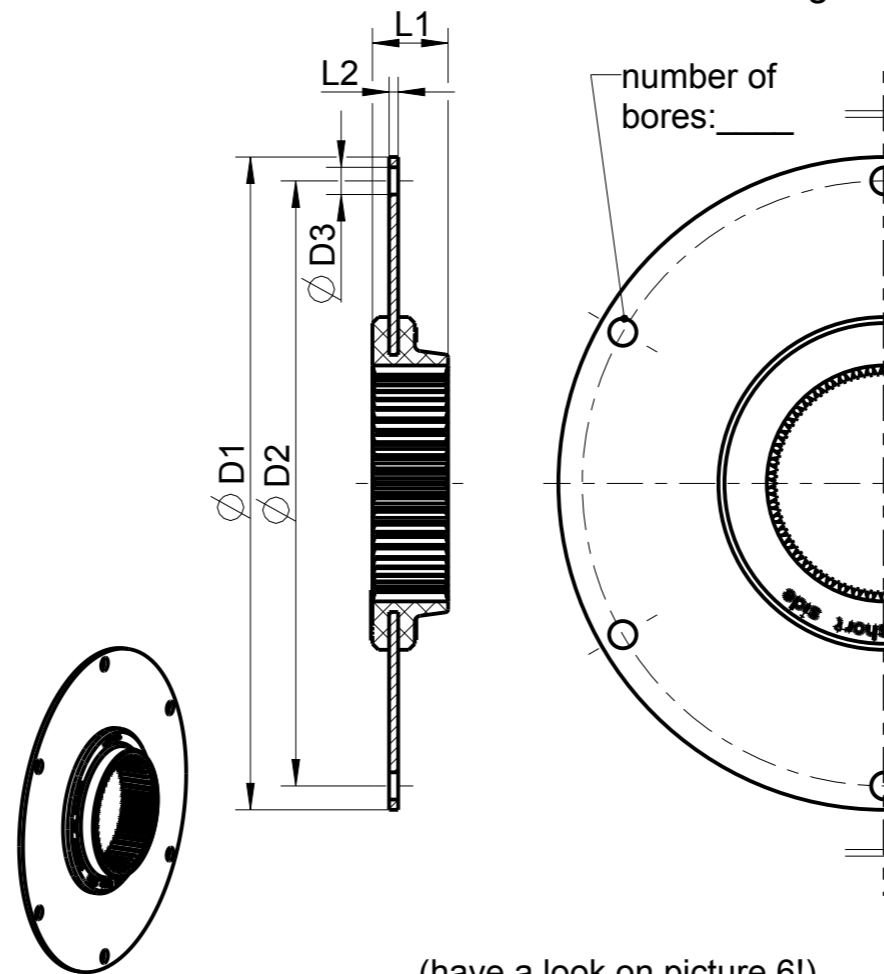
A

B

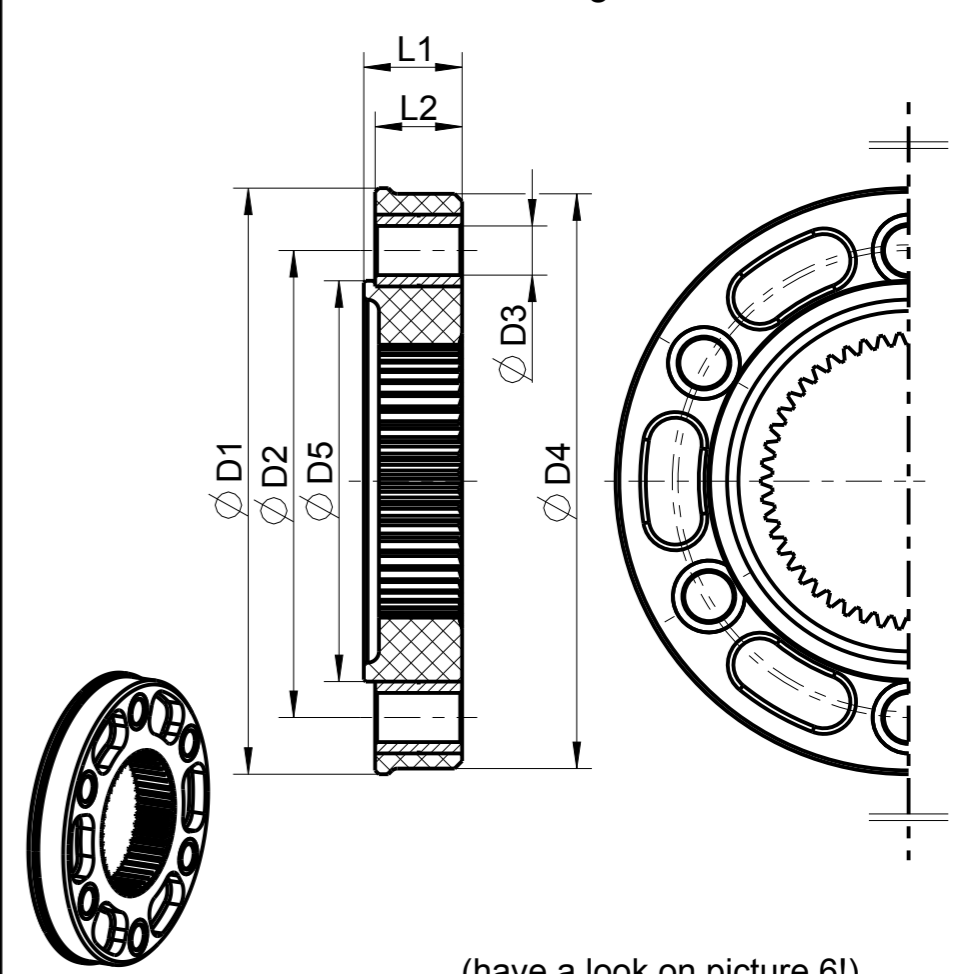
C



(have a look on picture 6!)



(have a look on picture 6!)



(have a look on picture 6!)

picture 4

divergent to SAE-norm

picture 5

FLE-PA-PAC flange

picture 6

D

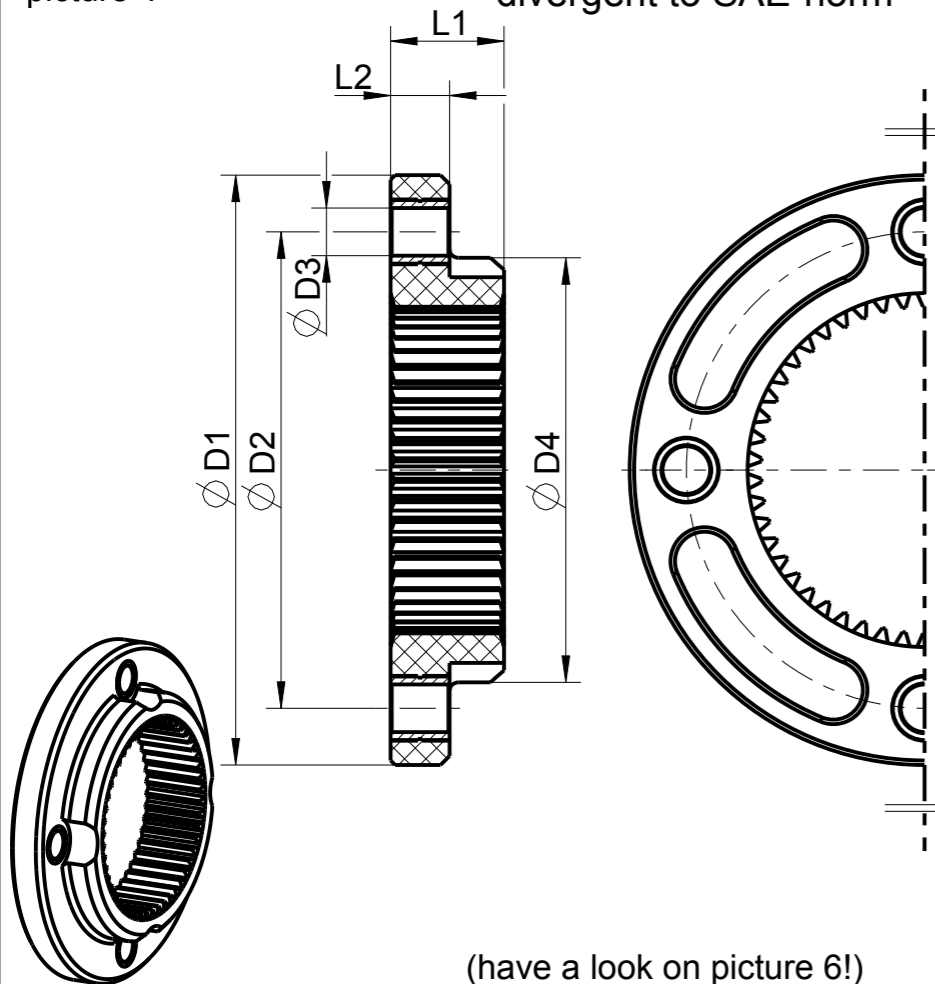
E

F

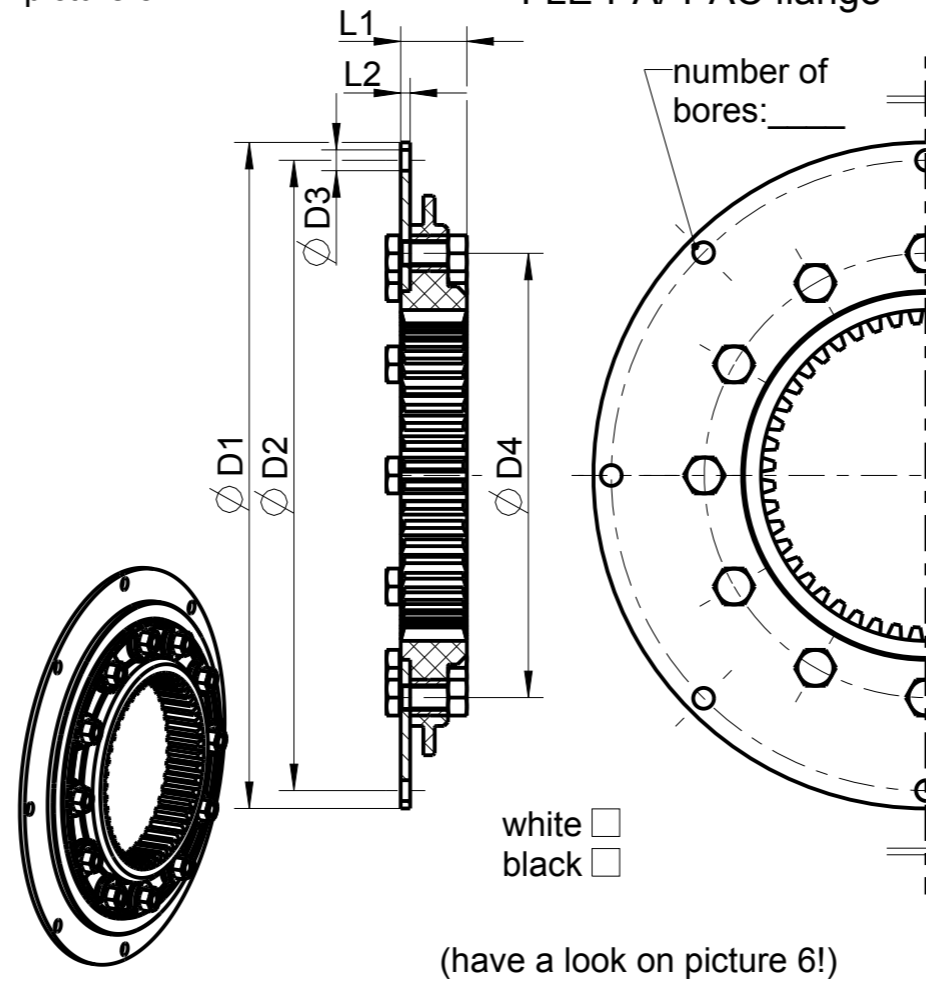
D

E

F



(have a look on picture 6!)



(have a look on picture 6!)

